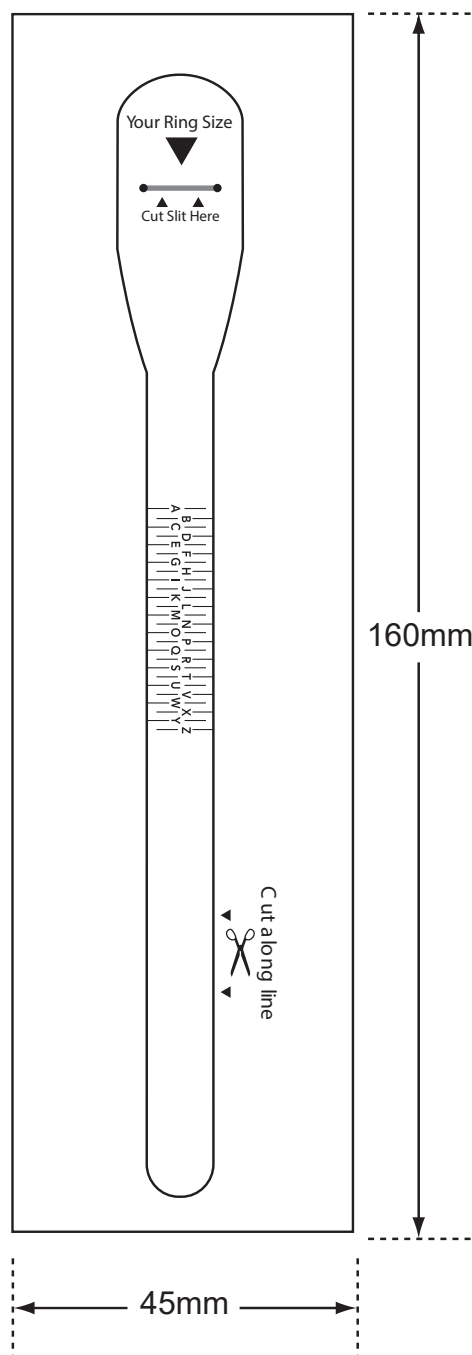


Find your ring size...

This ring sizer is a guide only.

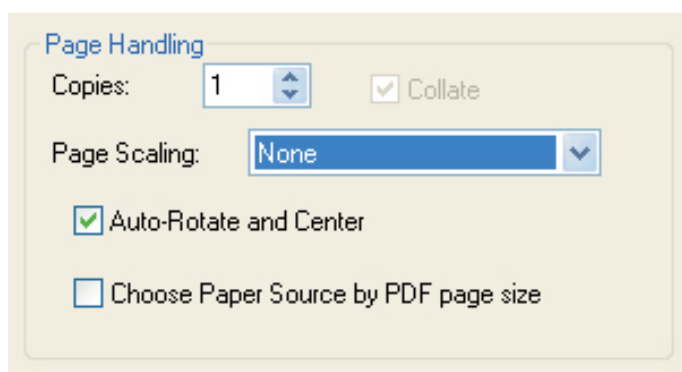
Belt Ring Sizer



How to measure your ring size:

1. Print out this document .

To ensure this document prints at the correct size , go to : File>Print>Properties, and then " Page Scaling " to "None"



2. Once printed measure the outer box and ensure that it measures 160mm x 45mm

3. Cut out the sizer and make a slit where shown

4. Push the end through the slit and slip it over your finger

5. Adjust the sizer so that it fits comfortably around your finger

6. Check that you can remove the sizer over your knuckle without difficulty

7. Read off the letter indicated by the arrow and that is your size

IMPORTANT: Do not pull the ring sizer tightly as this will give you an incorrect reading